

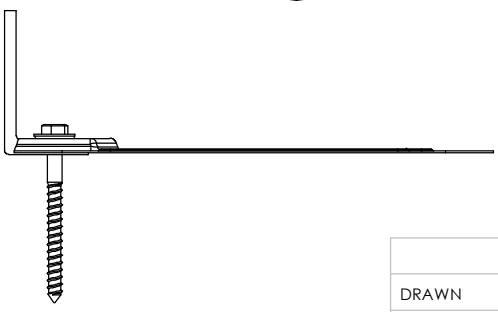
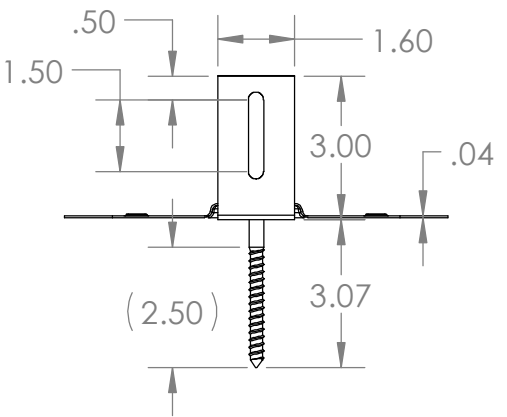
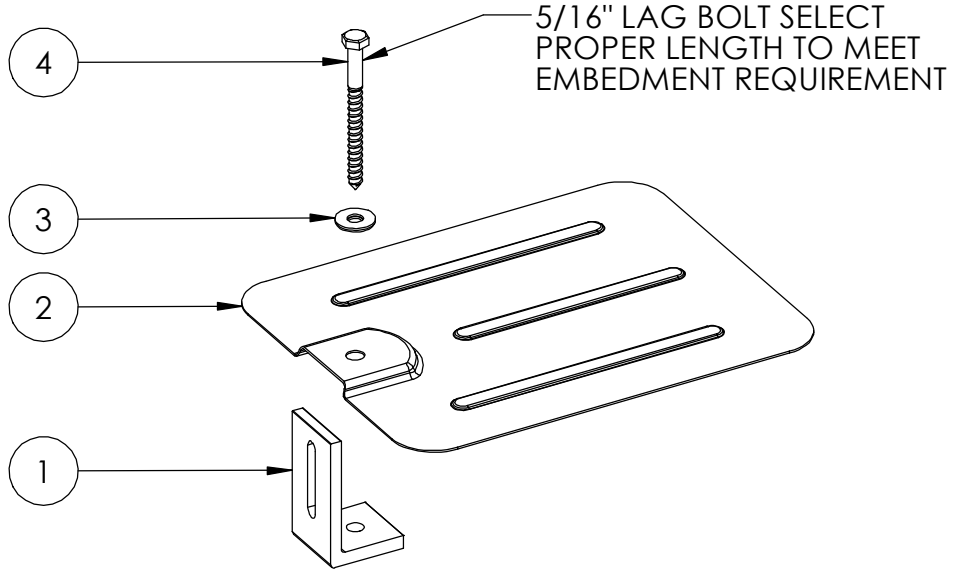
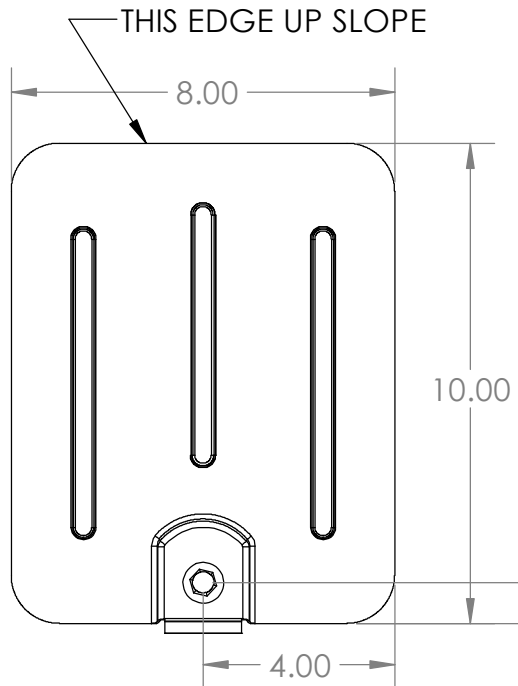
2

1

ITEM NO.	PART NUMBER	DESCRIPTION	QTY.
1	FM-0300M	Tamarack L Foot Mill	1
2	FM-0350M	Tamarack Comp Flashing	1
3	SW-1088S	5-16 X 0.88 SS Sealing Washer	1
4	SL-1350S	5-16 X 3.5 SS Lag Bolt	1

B

B



A

A

PROPRIETARY AND CONFIDENTIAL
 THE INFORMATION CONTAINED IN THIS DRAWING IS THE SOLE PROPERTY OF <INSERT COMPANY NAME HERE>. ANY REPRODUCTION IN PART OR AS A WHOLE WITHOUT THE WRITTEN PERMISSION OF <INSERT COMPANY NAME HERE> IS PROHIBITED.

	NAME	DATE
DRAWN	JW	04/20
CHECKED	DK	04/20
ENG APPR.		
MFG APPR.		
Q.A.		

TITLE: Tamarack Flashed L Foot		
SIZE A	DWG. NO. FM-P01	REV
SCALE: 1:8	WEIGHT:	SHEET 1 OF 1

2

1