

4

3

2

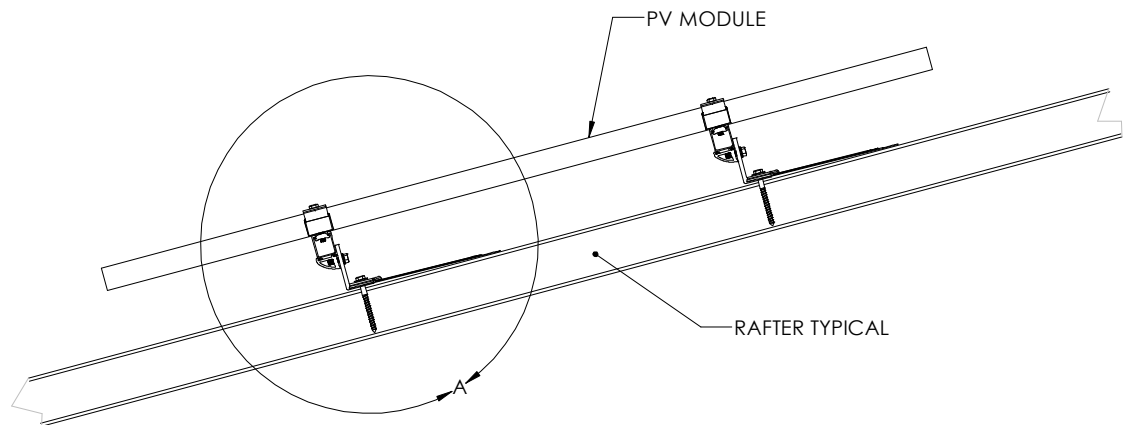
1

B

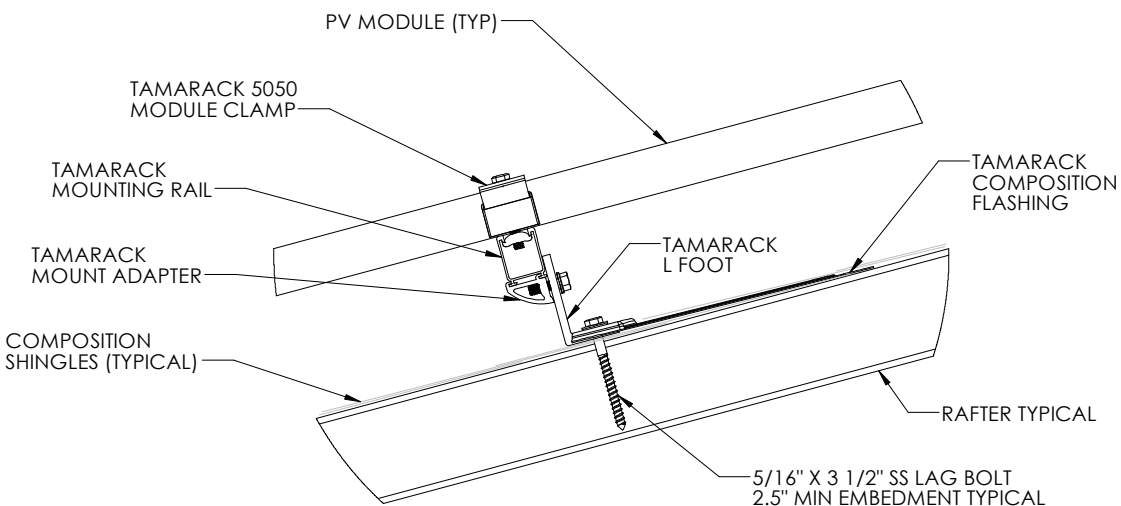
B

A

A



1 - ATTACHMENT DETAIL



2 - ATTACHMENT DETAIL (Detail A)

4

3

2

1

PROPRIETARY AND CONFIDENTIAL
 THE INFORMATION CONTAINED IN THIS DRAWING IS THE SOLE PROPERTY OF <INSERT COMPANY NAME HERE>. ANY REPRODUCTION IN PART OR AS A WHOLE WITHOUT THE WRITTEN PERMISSION OF <INSERT COMPANY NAME HERE> IS PROHIBITED.

	NAME	DATE
DRAWN	JW	7/20
CHECKED	DK	7/20
ENG APPR.		
MFG APPR.		
Q.A.		

COMMENTS:

TITLE:		
TAMARACK MOUNT DETAIL		
SIZE	DWG. NO.	REV
B	PV 3.1	
SCALE: 1:24 WEIGHT:		SHEET 1 OF 1