

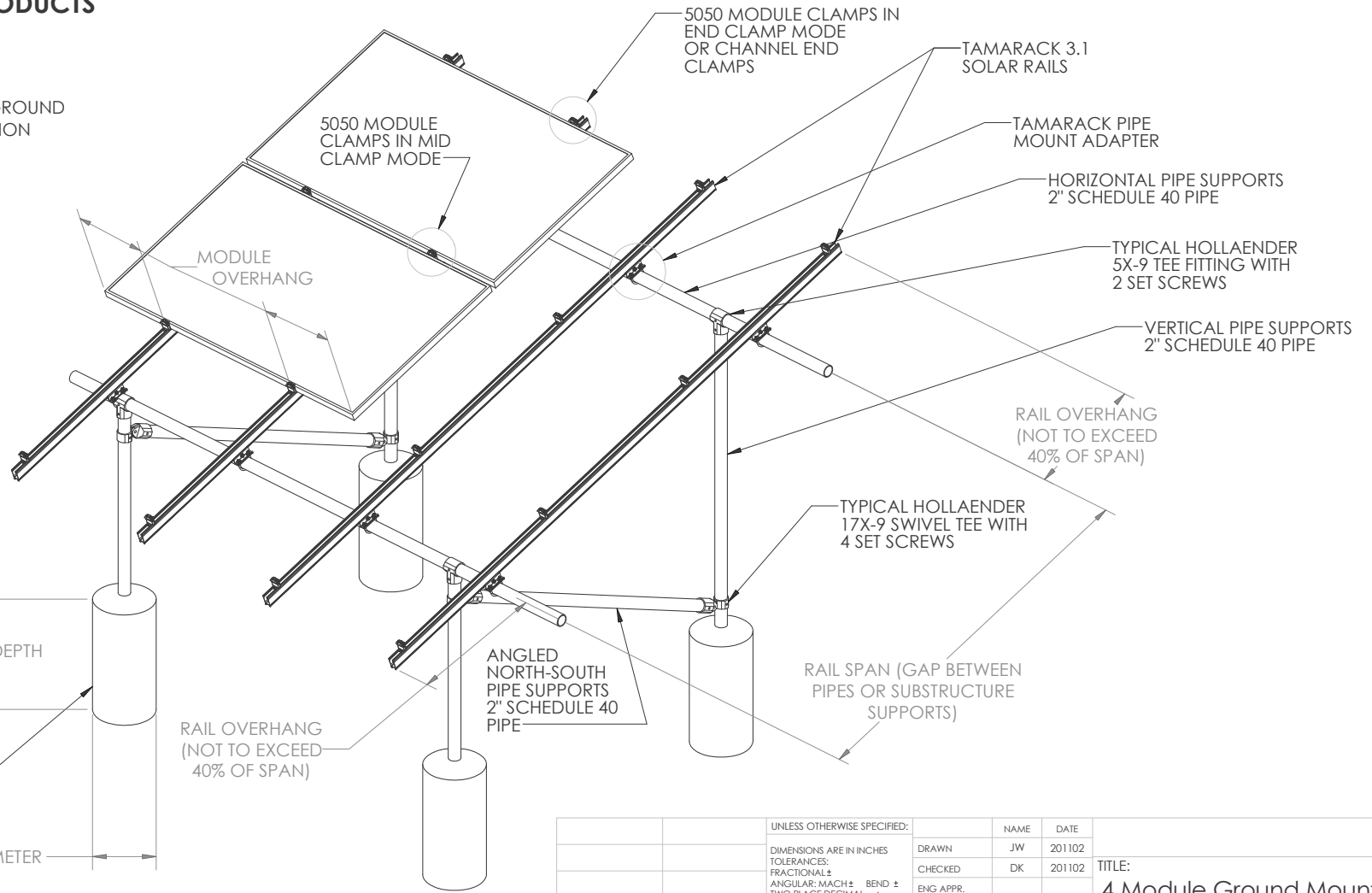
TAMARACK SOLAR PRODUCTS

GROUND MOUNT SOLAR MOUNTING SYSTEM

SHOWING TYPICAL PIPE BASED GROUND MOUNT STRUCTURE CONFIGURATION

TORQUE ALL FASTENERS TO 12 FT-LBS

TORQUE ALL HOLLAENDER SET SCREWS TO HOLLAENDER SPECIFICATIONS



TYPICAL CONCRETE PIER FOUNDATION
PIER DEPTH
PIER DIAMETER

RAIL OVERHANG (NOT TO EXCEED 40% OF SPAN)

ANGLED NORTH-SOUTH PIPE SUPPORTS 2\"/>

RAIL SPAN (GAP BETWEEN PIPES OR SUBSTRUCTURE SUPPORTS)

PROPRIETARY AND CONFIDENTIAL
THE INFORMATION CONTAINED IN THIS DRAWING IS THE SOLE PROPERTY OF <INSERT COMPANY NAME HERE>. ANY REPRODUCTION IN PART OR AS A WHOLE WITHOUT THE WRITTEN PERMISSION OF <INSERT COMPANY NAME HERE> IS PROHIBITED.

		UNLESS OTHERWISE SPECIFIED:	NAME	DATE	TITLE: 4 Module Ground Mount System 3.1 Rail	
		DIMENSIONS ARE IN INCHES	DRAWN	JW		201102
		TOLERANCES:	CHECKED	DK		201102
		FRACTIONAL: ±	ENG APPR.			
		ANGULAR: MACH ± BEND ±	MFG APPR.			
		TWO PLACE DECIMAL ±	Q.A.			
		THREE PLACE DECIMAL ±	COMMENTS:			
		INTERPRET GEOMETRIC TOLERANCING PER:				
		MATERIAL				
NEXT ASSY	USED ON	FINISH			SIZE DWG. NO. REV B GM-4M3R B	
APPLICATION		DO NOT SCALE DRAWING			SCALE: DNSWEIGHT: SHEET 1 OF 4	

4

3

2

1

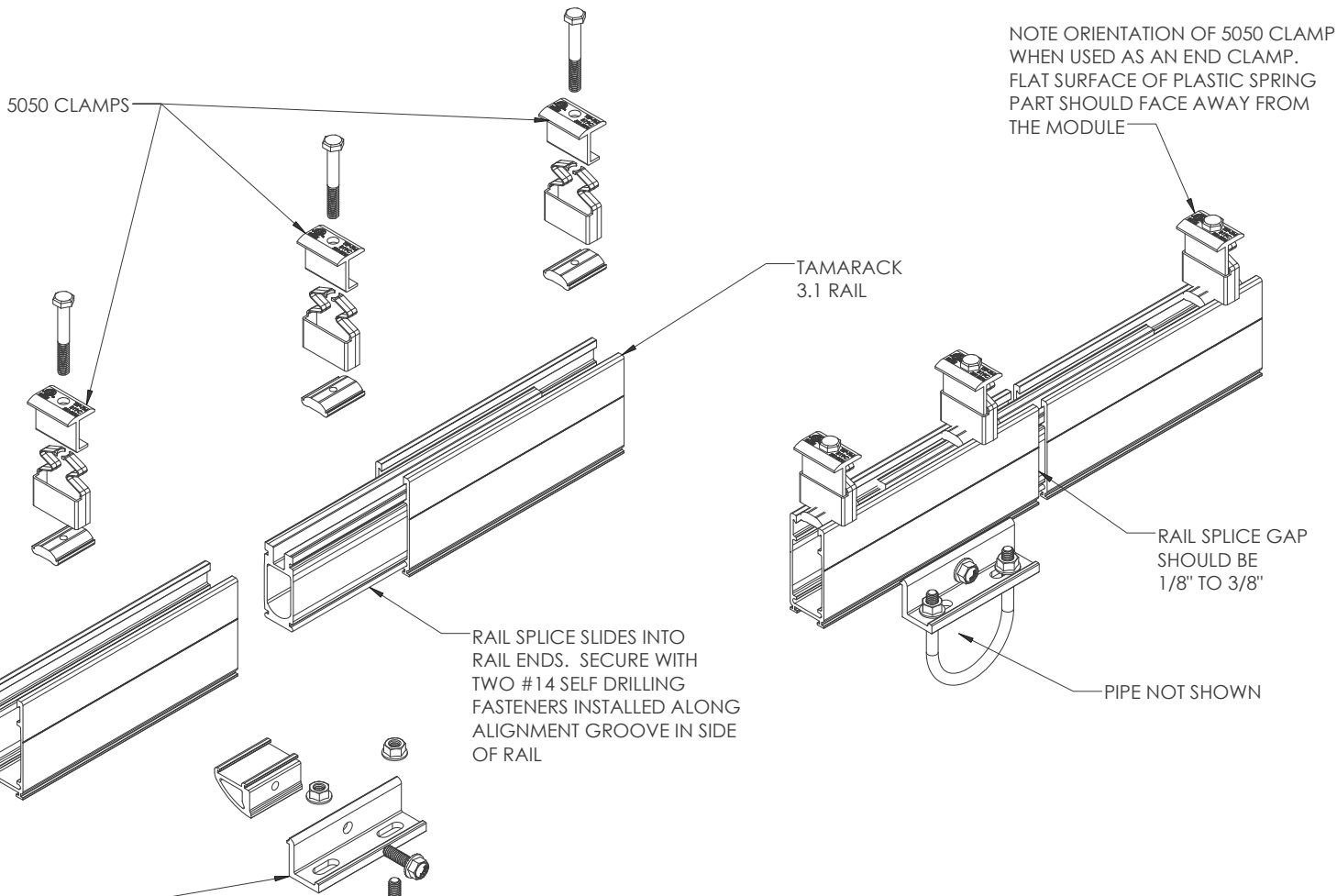
TAMARACK SOLAR PRODUCTS
GROUND MOUNT
SOLAR MOUNTING SYSTEM

SHOWING 3.1" SYSTEM RAILS, SPLICES
 MOUNTS, AND 5050 MODULE CLAMPS
 (WORK IN MID OR END CONDITION).

CHANNEL END CLAMPS ARE NOT COMPATIBLE
 WITH THE 3.1 RAIL

SHOWN WITH PIPE MOUNT, WHICH CLAMPS
 THE RAILS TO STANDARD 2" SCHEDULE 40 PIPE
 (PIPE NOT SHOWN IN RENDERINGS)

TORQUE ALL FASTENERS TO 12 FT-LBS



PROPRIETARY AND CONFIDENTIAL
 THE INFORMATION CONTAINED IN THIS DRAWING IS THE SOLE PROPERTY OF <INSERT COMPANY NAME HERE>. ANY REPRODUCTION IN PART OR AS A WHOLE WITHOUT THE WRITTEN PERMISSION OF <INSERT COMPANY NAME HERE> IS PROHIBITED.

		UNLESS OTHERWISE SPECIFIED:	NAME	DATE	
		DIMENSIONS ARE IN INCHES	DRAWN	JW	201102
		TOLERANCES:	CHECKED	DK	201102
		FRACTIONAL ±	ENG APPR.		
		ANGULAR: MACH ± BEND ±	MFG APPR.		
		TWO PLACE DECIMAL ±	Q.A.		
		THREE PLACE DECIMAL ±	COMMENTS:		
		INTERPRET GEOMETRIC TOLERANCING PER:	TITLE: 4 Module Ground Mount System 3.1 Rail		
		MATERIAL			
		FINISH	SIZE	DWG. NO.	REV
NEXT ASSY	USED ON	APPLICATION	B	GM-4M3R	B
		DO NOT SCALE DRAWING	SCALE: DNSWEIGHT:		SHEET 2 OF 4

4

3

2

1

B

B

A

A

4

3

2

1

TAMARACK SOLAR PRODUCTS
GROUND MOUNT
SOLAR MOUNTING SYSTEM

MODULE CLAMP DETAILS

5050 CLAMPS CAN BE INSTALLED IN EITHER MID OR END CLAMP CONDITIONS AS SHOWN. HALF INCH MODULE GAP. IN END CONDITION OPEN SIDE OF PLASTIC SPRING SHOULD FACE IN TO THE MODULE AS SHOWN

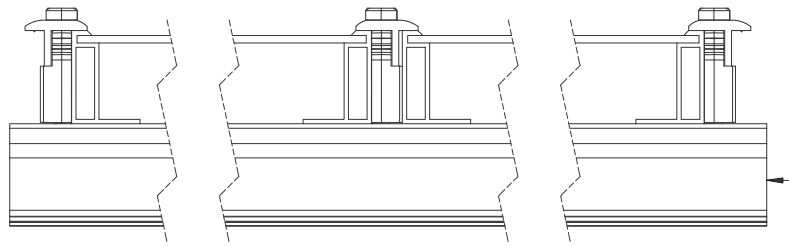
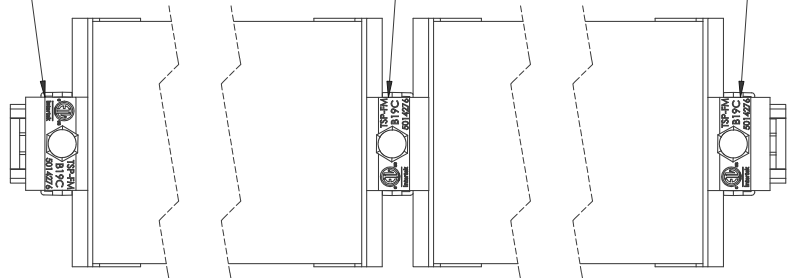
CHANNEL END CLAMPS ARE NOT COMPATIBLE WITH 3.1 RAIL

TORQUE ALL FASTENERS TO 12 FT-LBS

5050 CLAMP END CONDITION. PRESS CLAMP TIGHT TO MODULE WHEN TIGHTENING. ORIENT AS SHOWN

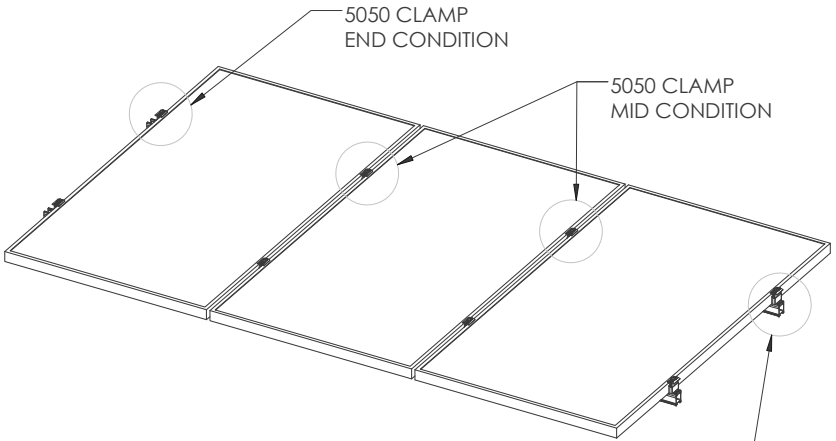
5050 CLAMP MID CONDITION. PRESS CLAMP TIGHT BETWEEN MODULES WHEN TIGHTENING. CAN BE ORIENTED EITHER WAY

5050 CLAMP END CONDITION. PRESS CLAMP TIGHT TO MODULE WHEN TIGHTENING. ORIENT AS SHOWN



TAMARACK RAIL

PIPE OR SUBSTRUCTURE UNDER RAILS NOT SHOWN



5050 CLAMP END CONDITION

5050 CLAMP MID CONDITION

5050 CLAMP END CONDITION

PROPRIETARY AND CONFIDENTIAL
 THE INFORMATION CONTAINED IN THIS DRAWING IS THE SOLE PROPERTY OF <INSERT COMPANY NAME HERE>. ANY REPRODUCTION IN PART OR AS A WHOLE WITHOUT THE WRITTEN PERMISSION OF <INSERT COMPANY NAME HERE> IS PROHIBITED.

		UNLESS OTHERWISE SPECIFIED:	NAME	DATE	TITLE: 4 Module Ground Mount System 3.1 Rail	
		DIMENSIONS ARE IN INCHES	DRAWN	JW		201102
		TOLERANCES:	CHECKED	DK		201102
		FRACTIONAL ±	ENG APPR.			
		ANGULAR: MACH ± BEND ±	MFG APPR.			
		TWO PLACE DECIMAL ±	Q.A.			
		THREE PLACE DECIMAL ±	COMMENTS:			
		INTERPRET GEOMETRIC TOLERANCING PER:				
		MATERIAL				
		FINISH				
NEXT ASSY	USED ON					
APPLICATION		DO NOT SCALE DRAWING				
SIZE	DWG. NO.	REV				
B	GM-4M3R	B				
SCALE: DNSWEIGHT:		SHEET 3 OF 4				

4

3

2

1

B

B

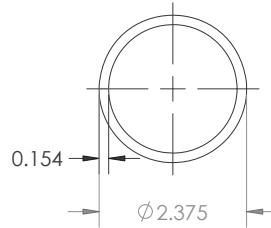
A

A

TAMARACK SOLAR PRODUCTS
GROUND MOUNT
SOLAR MOUNTING SYSTEM

TYPICAL CONFIGURATION OF ARRAY WITH
 4 MODULE COLUMNS, 2 RAILS PER COLUMN

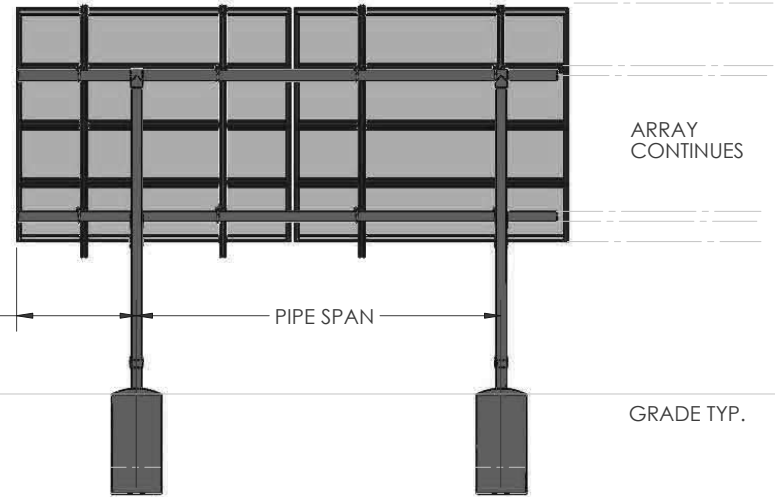
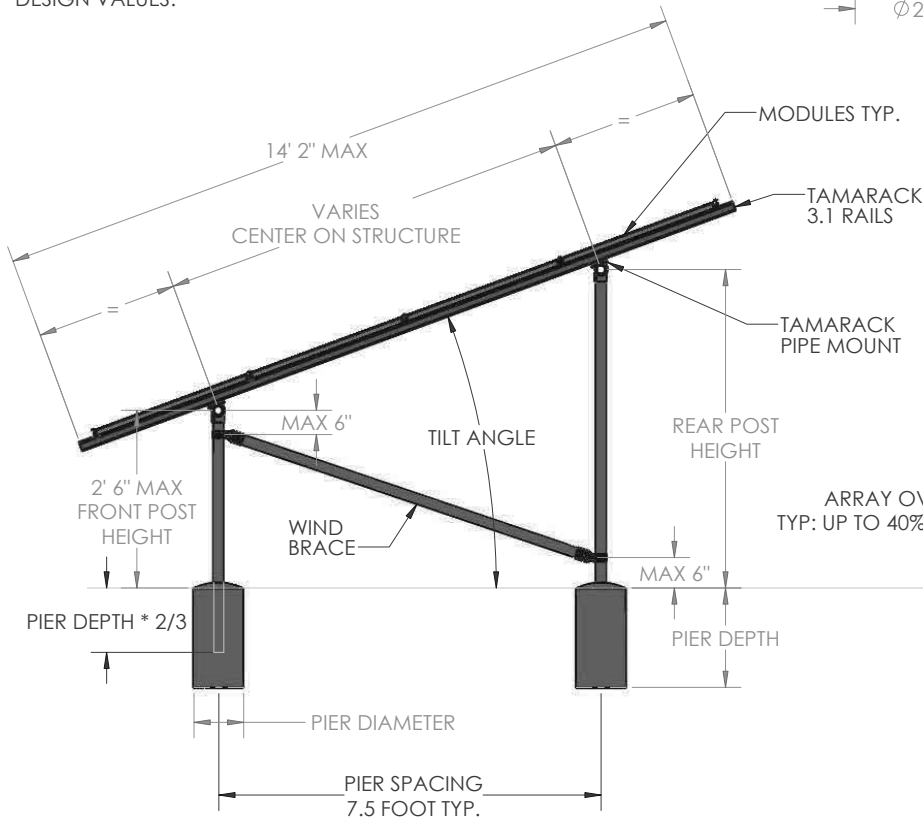
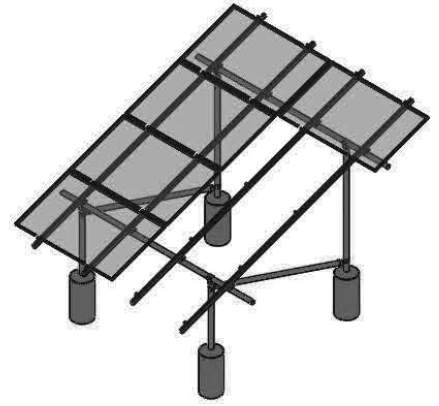
REFER TO STRUCTURAL ENGINEERING TABLES
 FOR PIER AND SPAN VALUES BASED ON LOCAL
 DESIGN VALUES.



APPROVED 2" PIPE
 SPECIFICATIONS:

ASTM A53 GR B
 35 KSI MINIMUM YIELD STRENGTH
 HOT DIPPED GALVANIZED

OUTSIDE DIAMETER: 2.375"
 WALL THICKNESS: 0.154"



PROPRIETARY AND CONFIDENTIAL
 THE INFORMATION CONTAINED IN THIS
 DRAWING IS THE SOLE PROPERTY OF
 <INSERT COMPANY NAME HERE>. ANY
 REPRODUCTION IN PART OR AS A WHOLE
 WITHOUT THE WRITTEN PERMISSION OF
 <INSERT COMPANY NAME HERE> IS
 PROHIBITED.

		UNLESS OTHERWISE SPECIFIED:	NAME	DATE	TITLE: 4 Module Ground Mount System 3.1 Rail	
		DIMENSIONS ARE IN INCHES	DRAWN	JW		201102
		TOLERANCES:	CHECKED	DK		201102
		FRACTIONAL: ±	ENG APPR.			
		ANGULAR: MACH ± BEND ± TWO PLACE DECIMAL ± THREE PLACE DECIMAL ±	MFG APPR.			
		INTERPRET GEOMETRIC TOLERANCING PER:	Q.A.			
		MATERIAL	COMMENTS:			
NEXT ASSY	USED ON	FINISH				
APPLICATION		DO NOT SCALE DRAWING				
		SIZE DWG. NO.		REV		
		B GM-4M3R		B		
SCALE: DNSWEIGHT:				SHEET 4 OF 4		